

## Specification

### JZ series

Model	JZ-10S	JZ-15S	JZ-20S	JZ-10W	JZ-15W	JZ-20W
Number of Lanes	10	15	20	20	30	40
	10 lanes x 1	15 lanes x 1	20 lanes x 1	10 lanes x 2	15 lanes x 2	20 lanes x 2
Capacity *	3000 cpm	4500 cpm	6000 cpm	6000 cpm	9000 cpm	12000 cpm
Material	Steel or Stainless ( Selectable )					
Product	Shape : round, triangle, rice ball, ball, cylinder, tear drop Size : $\Phi$ 6 - $\Phi$ 12 ** Range : 10 - 5000 pics - under counting hopper capacity Accuracy : $\pm$ 0					
Option	Various options are available. Please contact Ishida.					
Power supply	AC200V Single type 1.0kw / Double type 1.8kw					
Air supply	Clean air 0.5MPa 60NL/min ( per single machine )					

\* Depending on product size & shape and product nature.  
\*\*  $\Phi$ 13 -  $\Phi$ 20 is available by widening or triple trough specification.

### JC series

Model	JC22-7S	JC32-7S
Number of Lanes	7 lanes	
	single ( 7 lane x 1 )	
Capacity *	1200 - 2100 cpm	
Material	Steel	Stainless
Product	Shape : round, triangle, rice ball, ball, cylinder, tear drop Size : $\Phi$ 6 - $\Phi$ 12 Range : 10 - 5000 pics - under counting hopper capacity Accuracy : $\pm$ 0	
Option	Various options are available. Please contact Ishida.	
Power supply	AC100V 200W	
Air supply	Clean air 0.5MPa 60NL/min	

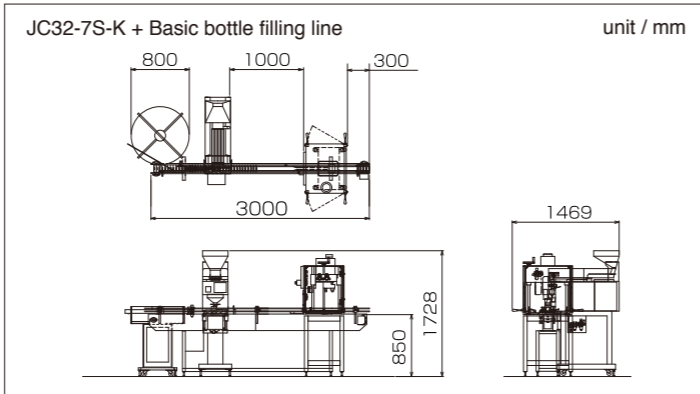
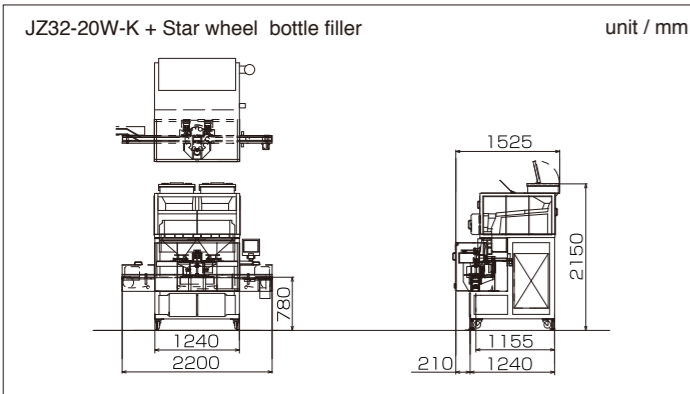
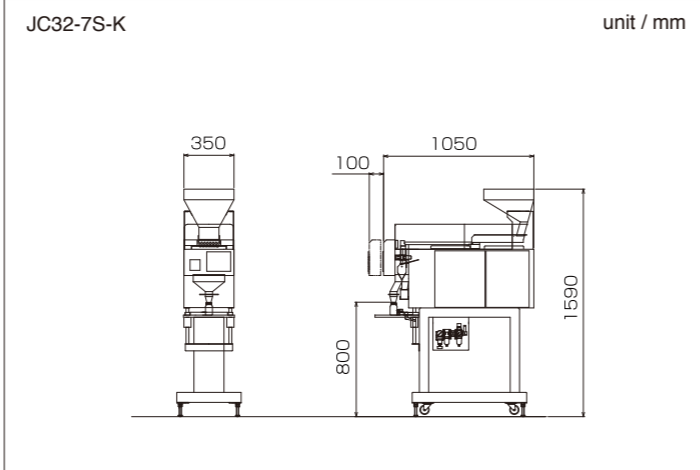
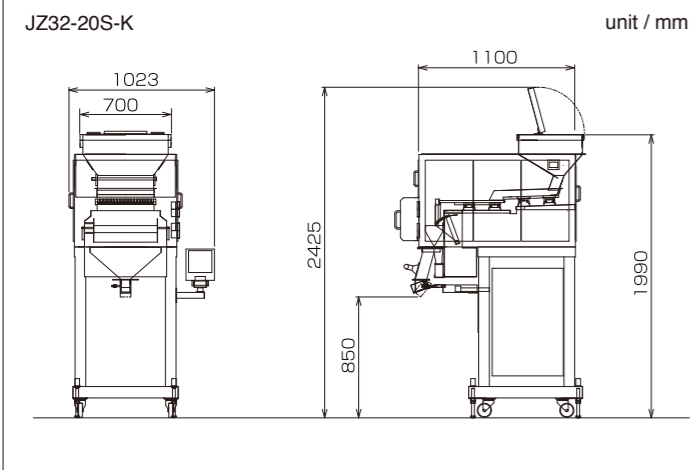
\* Depending on product size & shape and product nature.



# Counting Machine

JZ / JC Series

## Dimension



ISHIDA CO., LTD. [www.ishida.com](http://www.ishida.com)

44,SANNO-CHO, SHOGOIN SAKYO-KU,  
KYOTO 606-8392 JAPAN  
Phone : 81-75-771-4141 Facsimile : 81-75-751-1634

Manufacturer: ISHIDA ENGINEERING CO., LTD.





# Counting Machine

**High capacity / JZ series**  
**Compact / JC series**

Counting machine JZ series and JC series provide high-accurate and high-efficiency counting of tablets and capsules. For various production needs, suitable model can be selected from two series, which are a high-capacity model (JZ series) and a compact model (JC series), depending on manufacturing lines.



All the counting machines are equipped with color touch panel, enabling even an inexperienced operator to set up and operate easily.

50 items can be preset.

# Counting Machine



Compact type / JC series

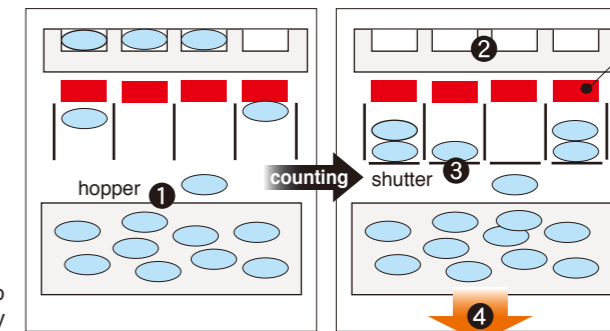
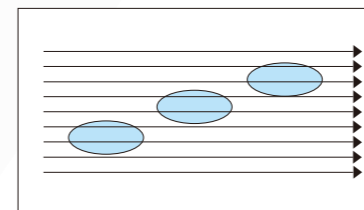
High-mix, low/middle volume production

High capacity type / JZ series

High-mix, high-volume production

## High-speed, High-precision, and Reliable

High-speed scanning and high-speed cutoff control allow high-speed and high-precision counting.



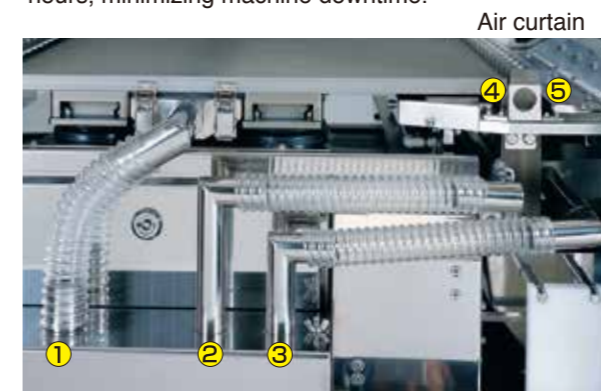
- 1 Products are supplied to hopper.
- 2 Trough vibration stops when the set number is supplied.
- 3 When the set number plus one piece pass the sensor, each shutters move and stock products.
- 4 The products in the hopper are discharged.
- 5 The closed shutters open and the stocked products are supplied to the hopper.

### High-speed scanning by sequencer

Sequencer scans signals a number of times when products pass through photo electronic sensor. This prevents error by powder or crack and provides precise counting.

## Dust and residue-free

JZ / JC series feature dust-vacuum duct and air curtain to prevent powder dust of products from flying in all directions. This doesn't require cleaning every few hours, minimizing machine downtime.



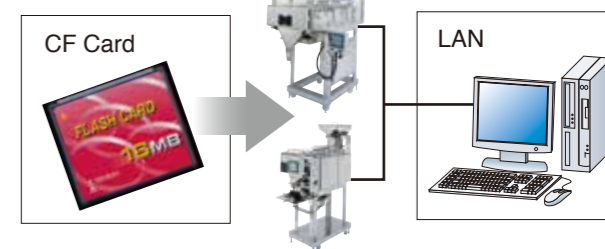
Duct

## Easy-to-maintenance

Feeders, hoppers, and weighing parts can be removed off without tools, providing easy cleaning in a short time.

## Traceability

In conjunction with a PC, weighing history can be taken in Excel format for further analyzing weighing results and effective data management.



## Variation and associated equipments



Counting-filling integration system  
JZ32-20W-K + Star wheel bottle filler



Counting and filling system  
JC32-7S-K + Cup filling line



Granule weigher  
Cut Gate



Pouch filling-sealing machine  
GP-2000ST



Precise checkweigher  
DACS-Z-006