

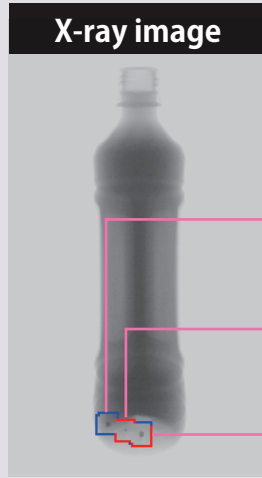
X-ray Inspection System for Bottle

IX-GA-B3043

- Achieves great sensitivity
- Easy-to-install in existing production line
- Automatic bottle pitch control
- No protection curtain required



Ishida bottle X-ray inspection system IX-GA-B3043 delivers the highest level of inspection performance for bottled products.



Target Product

- Bottle (PET and glass)
- Drink carton
- Stand pouch

Inspection result: 500ml PET bottle

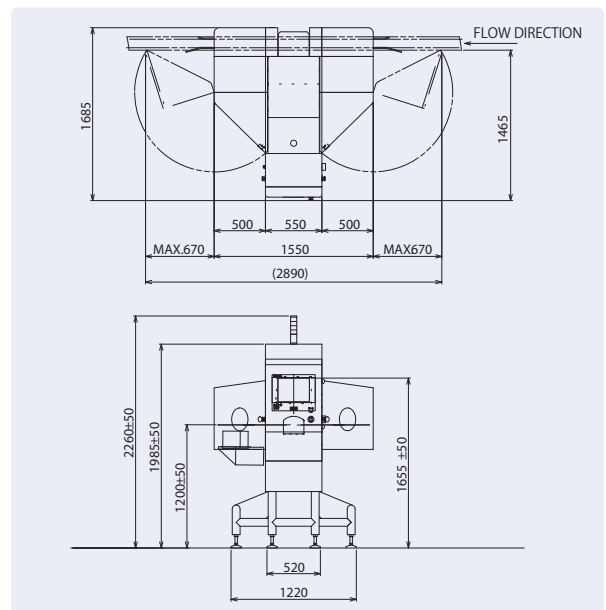
- Aluminium ball: $\phi 3.0$
- SUS ball $\phi 0.7$
- Glass ball $\phi 3.0$

Inspection result depends on product shape, product density, etc.

SPECIFICATIONS

Model		IX-GA-B3043
X-ray	Tube voltage	30/35/40/45/50/55/60/65/70/75kV
	Tube current	8.0mA
	Output	MAX. 300W
X-ray protection		Protective cover (No protective curtain)
X-ray emissions		1 μ Sv/h or less, including conveyor entrance/exit
Chamber	Width	MAX. 150mm
	Height	MAX. 310mm
Conveyor	Type	Turn table
	Conveying Speed and Weight	Inspection Table 12- 45 m/min, 10kg (over entire length) Transition Table 4- 40 m/min, 5kg (over entire length)
Protective construction		Conveyor unit: IP66
Cooling method		Hermetical air cooling
Power supply		3 phase AC200V 50/60Hz
Operation temperature		0°C - 35°C ambient temperature
Operation humidity		30 - 85%RH (with no condensation)
Machine weight		580kg

DIMENSIONS (unit: mm)



Ishida, the world leader in weighing technology, also manufactures a full line of multihead weigher checkweighers and packaging machines.

 **ISHIDA**

 **ISHIDA CO., LTD.**

44 SANNO-CHO, SHOGOIN, SAKYO-KU
KYOTO, 606-8392 JAPAN
PHONE: 81-75-771-4141
FACSIMILE: 81-75-751-1634
URL: <http://www.ishida.com>

Specifications and design are subject to change without notice.