

Ishida X-ray Inspection System

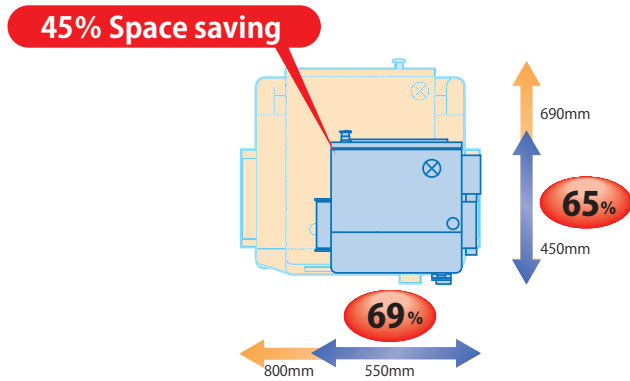
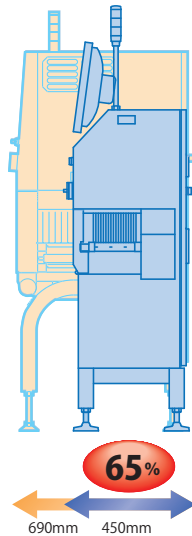
# IX-GE-1063



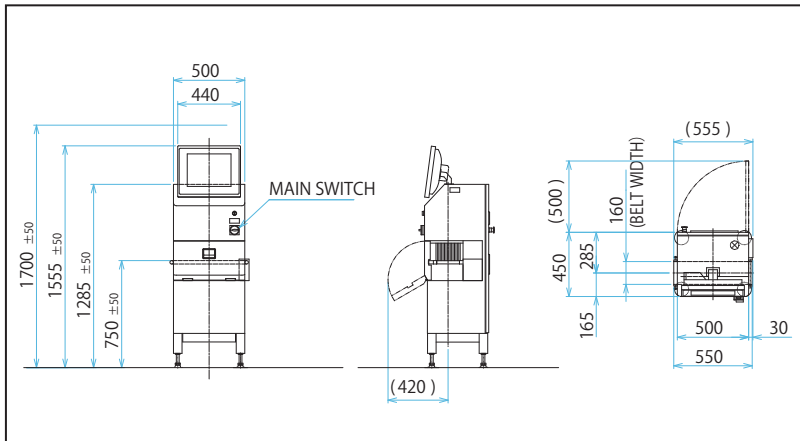
- Affordable system for accurately detecting foreign substances and product defects
- Compact body with space saving design
- Easy to operate, clean and maintain

# Space saving with the compact body like never before

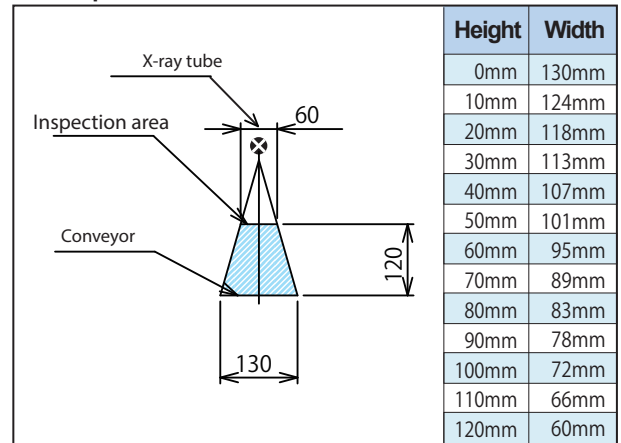
■ : IX-GE-1063  
■ : IX-GE-2462



## External dimensions (mm)



## Inspection area



The figures above show the permissible inspection range. Portions of the product which are not within the shaded area are not irradiated.

## Specification

Model	IX-GE-1063
X-ray output	MAX 50W, 50kV, 1.0mA
X-ray protection	Fixed tungsten protective curtain
X-ray emission	1μSv/h or less, including conveyor entrance/exit
Product configuration	Packed product
Conveyor	Speed : 10-60m/min, 500g
Power supply	Single phase AC200V 400W 3.0A 50/60Hz variation+/-10%
Operation temperature	0°C - 33°C ambient temperature (without freezing or rapid temperature shifts)
Operation humidity	30 - 85%RH (with no condensation)



**Ishida, the world leader in weighing technology, also manufactures a full line of checkweighers, X-ray inspection systems, and packaging machines.**

Specifications and design are subject to change without notice.



**ISHIDA CO.,LTD.** [www.ishida.com](http://www.ishida.com)

44 Shogoin Sannocho, Sakyo-ku,  
Kyoto 606-8392, Japan  
Phone : +81-75-771-4141 Facsimile : +81-75-751-1634