



High-Sensitivity Metal Detector

IND Series



ISHIDA CO., LTD. www.ishida.com

44 Shogoin Sannocho, Sakyo-ku,
Kyoto, 606-8392, Japan
Phone : 81-75-771-4141 Facsimile : 81-75-751-1634

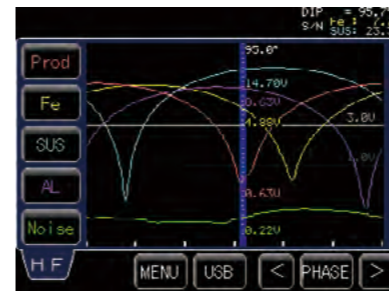
Functional design enhances your productivity evidently.

The easy, elegance and simple sophistication of world-class technology provide the perfect enhancement to the quality control.



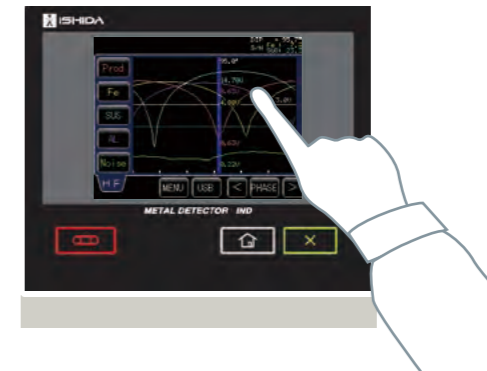
Auto settings for high and stable sensitivity

Suitable mode will be automatically selected depends on the characteristics of the product. The multi-frequency can support wide variety of products.



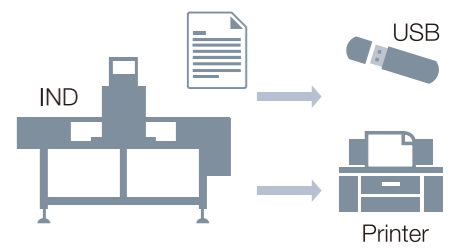
User friendly operation interface terminal

An easy-to-operate with help menu makes operation extremely simple. The color graph and histogram allows to understand production status at a glance.




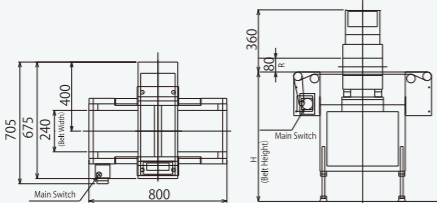

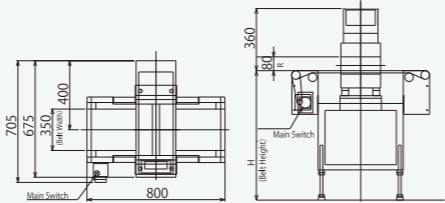

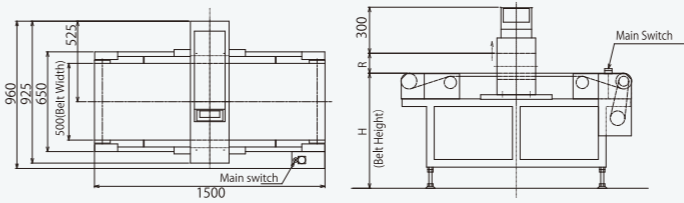

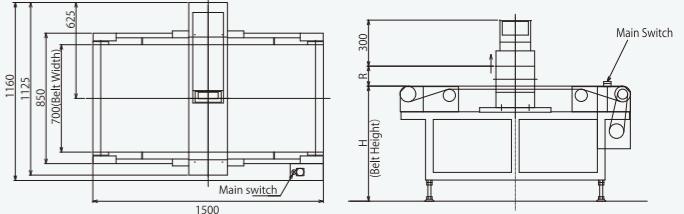
Simple and smart data traceability management

More inspection result data can be stored and traced. All data and preset settings can be exported via USB or external printer.



Contact Ishida for more available options.

IND Series

| | | | |
|---|--|---|---|
| <p>Selectable Belt Height H=500±50 H=550±50 H=600±50 H=650±50 H=750±100 H=900±100 H=1050±100</p>   | <p>Selectable Belt Height H=500±50 H=550±50 H=600±50 H=650±50 H=750±100 H=900±100 H=1050±100</p>   | <p>Selectable Belt Height H=650±50 H=700±50 H=750±50 H=800±50 H=850±50 H=900±50 H=950±50 H=1000±50 H=1050±50 H=1100±50</p>   | <p>Selectable Belt Height H=650±50 H=700±50 H=750±50 H=800±50 H=850±50 H=900±50 H=950±50 H=1000±50 H=1050±50 H=1100±50</p>   |
|---|--|---|---|

| Standard Specifications | | IND-3508-PB / WP | IND-3513-PB / WP | IND-3518-PB / WP | IND-4508-PB / WP | IND-4513-PB / WP | IND-4518-PB / WP | IND-6008-PB / WP | IND-6013-PB / WP | IND-6019-PB / WP | IND-6025-PB / WP | IND-6035-PB / WP | IND-8013-PB / WP | IND-8019-PB / WP | IND-8025-PB / WP | IND-8035-PB / WP |
|------------------------------|--------|---|------------------|------------------|---|------------------|------------------|---|------------------|------------------|---|------------------|------------------|------------------|------------------|------------------|
| Search coil opening | Width | 350mm | | | 450mm | | | 600mm | | | 800mm | | | | | |
| | Height | 100mm | 150mm | 200mm | 100mm | 150mm | 200mm | 110mm | 160mm | 220mm | 290mm | 390mm | 170mm | 230mm | 290mm | 390mm |
| Allowable product height (R) | | 80mm | 130mm | 180mm | 80mm | 130mm | 180mm | 80mm | 130mm | 190mm | 250mm | 350mm | 130mm | 190mm | 250mm | 350mm |
| Detection sensitivity *1 | Fe | φ0.3mm | φ0.4mm | φ0.6mm | φ0.4mm | φ0.5mm | φ0.7mm | φ0.7mm | φ1.0mm | φ1.2mm | φ1.5mm | φ2.0mm | φ1.0mm | φ1.2mm | φ1.5mm | φ2.0mm |
| | SUS304 | φ0.6mm | φ0.7mm | φ1.0mm | φ0.7mm | φ0.8mm | φ1.2mm | φ1.5mm | φ1.7mm | φ2.0mm | φ2.2mm | φ2.5mm | φ1.7mm | φ2.0mm | φ2.2mm | φ2.5mm |
| Product clearance width | | Max. 240mm | | | Max. 350mm | | | Max. 500mm | | | Max. 700mm | | | | | |
| Conveyor length | | 800mm | | | 800mm | | | 1500mm | | | 1500mm | | | | | |
| Transferable weight | | Max. 2kg | | | Max. 5kg | | | Max. 40kg (30kg for WP) | | | Max. 40kg (30kg for WP) | | | | | |
| Belt speed | | 32m/min (50Hz) 38m/min (60Hz) | | | 32m/min (50Hz) 38m/min (60Hz) | | | 24m/min (50Hz) 29m/min (60Hz) | | | 24m/min (50Hz) 29m/min (60Hz) | | | | | |
| When metal is detected | | Belt stops and alarm-on (Auto rejector available as option) | | | Belt stops and alarm-on (Auto rejector available as option) | | | Belt stops and alarm-on (Auto rejector available as option) | | | Belt stops and alarm-on (Auto rejector available as option) | | | | | |
| Preset numbers | | 200 items | | | 200 items | | | 200 items | | | 200 items | | | | | |
| Working environment | | Temperature: 0~40°C, Humidity: 85% RH max (No freezing or condensation) | | | Temperature: 0~40°C, Humidity: 85% RH max (No freezing or condensation) | | | Temperature: 0~40°C, Humidity: 85% RH max (No freezing or condensation) | | | Temperature: 0~40°C, Humidity: 85% RH max (No freezing or condensation) | | | | | |
| Power supply *2 | | Single phase: AC 100V~240V 150W 1.5A 50/60Hz | | | Single phase: AC 100V~240V 200W 2.0A 50/60Hz | | | Single phase: AC 100V~240V 300W 3.0A 50/60Hz | | | Single phase: AC 100V~240V 3.0A 50/60Hz | | | | | |

*1 Results of when test balls, Fe and SUS 304 were set at the center of belt surface. Detection sensitivity depends on product shape, installation and environmental conditions.
*2 IND-35xx and 45xx models will be equipped with an external transformer to use at AC 110V and larger.