

CCW-RV-214W-1S-30-WP-DTS1

Automated, high speed, accurate weighing & distribution solution specifically designed for handling sticky dates.

The RV series from Ishida represents the latest state of the art multihead weighing performance for speed, accuracy and reliability and comes with the industries leading high performance specification as standard.

This multihead weigher is designed specifically for sticky dates and is offered as part of an Ishida integrated weigher and distribution system with built in control from the weigher.

The system has been thoroughly tested to ensure customers receive the best in class solution for this challenging product whether installed as a new line or fitted into an existing production line.

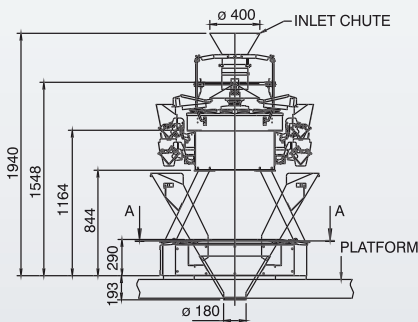
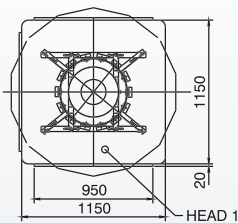
Two specialised distribution options are offered for different target weights and (tray formats):-

Dates Distribution system 500/1000 = 500g (2x2) and 1000g (3x1)

Dates Distribution system 200/500 = 200g (4x2) and 500g (2x2)

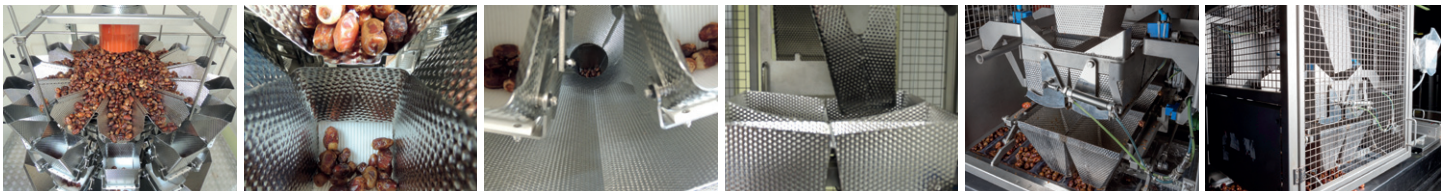


Dimensions



Specifications	CCW-RV-214W-1S-30-WP-DTS1	
Weighing Capacity/Range (per head)	500g	1000g
Maximum Volume for Weighing (per dump)	4.5 litres	
Weighing Speed	60wpm (variable dependent on dates type)	
Minimum Graduation	0.1g	0.2g
Touch Screen 3D Graphical Display (RCU)	12.1" Colour LCD display including printer (as standard)	
Weigh Cell	Ishida double-beam loadcell	
Vibration control on DFT and RFTs	Pulse width modulation (precise and programmable vibration frequency control - independent from input frequency)	
Number of Presets	200	
Materials	Hex embossed stainless steel contact parts, PTFE ribbed gates on weigher hoppers, green teflon coated dispersion table and on radial feeders	
Machine Weight	Approx. 550kg	
Options	Dates weigher is a fixed high specification 2 distributions systems are available (see additional details)	
Structure of waterproof machines	Tested and independently certified to IP69K (see specific wash down instructions in operators manual)	
Air consumption (waterproof machines)	110 litres/min (ANR) 0.5 Mpa Air hose - PT 3/8" (for dryer connection) Note: Air hose compressor must be provided by the end user	
Power consumption	0.5kW	
Standard compliance	Ce/UL/FDA/USDA/RoHS	

Design and specifications are subject to change without notice. (*) Depends on product shape, product density, target weight and target speeds.



CCW-RV-214W-1S-30-WP-DTS1



RV Dates features and benefits

Automated, high speed, accurate weighing & distribution solution specifically designed for handling sticky dates.

The dates solution is based on the RV series multihead weigher platform – with market leading high performance specification (as standard).

No other multihead weigher supplier can match the experience and global installed base of Ishida and it is this expertise and sector-specific knowledge that has gone into the dates solution CCW and Distribution range.

With both existing installed applications in Middle East and after extensive in-house trials in our dedicated trials area, Ishida has refined and developed this specialised solution to automate the weighing and distribution of sticky dates products into specific thermoformer tray formats.

Green teflon coated, angled contact parts on the dispersion table and radial feeders, feed into specially designed pool hoppers and weigh hoppers which have specially designed ribbed gates which combine to ensure the dates product flows efficiently but gently through the weigher.

Selected weights from any of the 14 x 3l size hoppers are then combined with high efficiency to deliver either 200g, 500g or 1000g target weights.

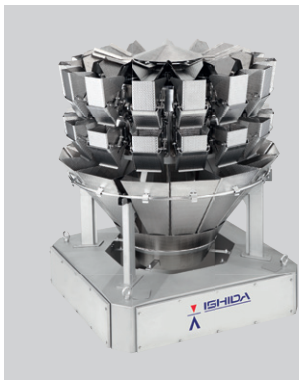
A special error diverting scraper-type timing hopper then transfers the target weight of sticky product from the weigher into one of two specially designed distribution systems (or if the weight is under or over the programmed limit it is rejected through the error divert chute).

Good product weights are delivered via transfer chute and a multi-directional (gimbal) swing chute into a scraper-type holding hopper. The gimbal chute then moves to enable the remaining holding hoppers to be filled. On receipt of a signal to confirm the thermoformer has indexed, dipping chutes lower into the trays and the holding hoppers open to discharge product. When the dump is complete, the holding hoppers close and are refilled, the dipping chutes lift clear of the trays and a signal is sent to enable the thermoformer to index forward.

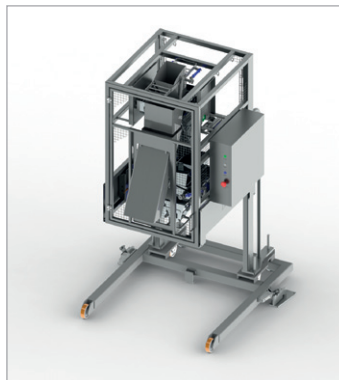
Two specialised distribution systems are configured for two different target weights of dates and (tray formats):-

Dates Distribution system 500/1000 = 500g (2x2) and 1000g (3x1)

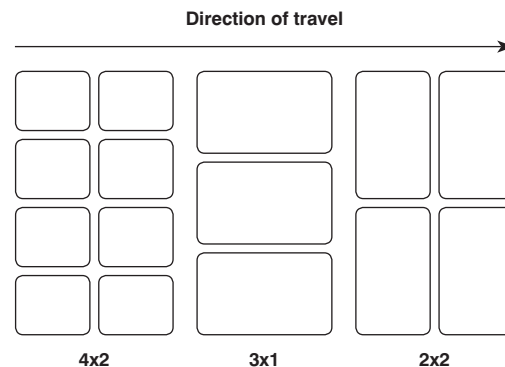
Dates Distribution system 200/500 = 200g (4x2) and 500g (2x2)



Both the Ishida weigher and Ishida distribution system are designed to be washed down between shifts with high water resistant specification supplied as standard.



Distribution system is also mounted on castor wheels for rapid and easy removal from the line for cleaning and periodic maintenance.



The specially designed multihead weigher and distribution system are perfectly matched to meet the most common tray and target weight requirements – also matching common thermoformer tray specifications.

ISHIDA EUROPE LIMITED

Kettles Wood Drive
Woodgate Business Park
Birmingham
B32 3DB
United Kingdom
Tel: +44 (0)121 607 7700
Fax: +44 (0)121 607 7888
info@ishidaeurope.com

ISHIDA CZECH REPUBLIC

Tel: +420 317 844 059
Fax: +420 317 844 052
info@ishidaeurope.cz

ISHIDA ROMANIA

Tel: +40 (0)21 589 73 52
Fax: +40 (0)21 310 34 22
info@ishidaeurope.ro

ISHIDA FRANCE

Tel: +33 (0)1 48 63 83 83
Fax: +33 (0)1 48 63 24 29
info@ishidaeurope.fr

ISHIDA RUSSIA AND CIS

Tel: +7 499 272 05 36
Fax: +7 499 272 05 37
info@ishidaeurope.ru

ISHIDA GERMANY

Tel: +49 (0)791 945 160
Fax: +49 (0)791 945 1699
info@ishida.de

ISHIDA SOUTH AFRICA

Tel: +27 (0)11 976 2010
Fax: +27 (0)11 976 2012
info@ishidaeurope.com

ISHIDA MIDDLE EAST

Tel: +971 (0)4 299 1933
Fax: +971 (0)4 299 1955
ishida@ishida.ae

ISHIDA SWITZERLAND

Tel: +41 (0)41 799 7999
Fax: +41 (0)41 790 3927
info@ishida.ch

ISHIDA NETHERLANDS

Tel: +31 (0)499 39 3675
Fax: +31 (0)499 39 1887
info@ishida.nl