



Intermittent Ishida technology – affordable packaging performance

If you need to improve profitability from your production line, Ishida has launched an affordable range just for you. Called the Ishida First Range, it's a sure first step to achieving higher levels of efficiency and profitability.

The combined Astro-S-103 bagmaker including printer, former and SE range of weigher options provide for packing speeds up to 85bpm, whilst delivering the accuracy and overall performance expected from Ishida.

Ishida is recognised world-wide as a leader in snacks packaging line equipment. If you're looking to reduce product giveaway and ensure consistency of pack weight at an affordable value the Ishida's First Range bagmaker solutions can meet your expectations.

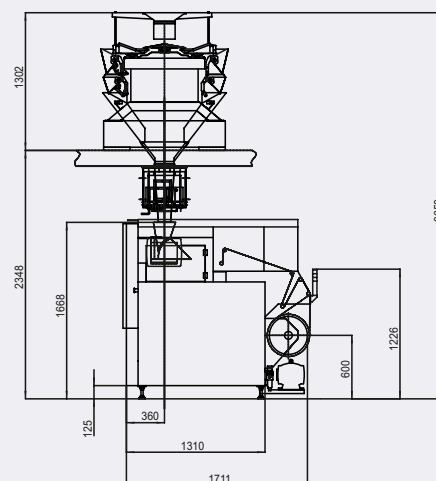
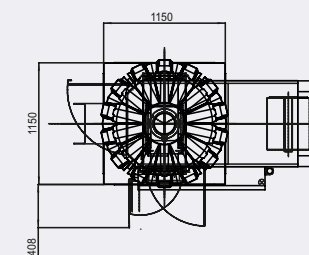


Specifications		
Model	CCW-SE-210W-1S-20*	CCW-SE-214W-1S-20*
Weighing Capacity/Range (per single dump)	Up to 500g	Up to 1000g
Maximum Volume for Weighing (per single dump)	Maximum 3000cc	
Minimum Graduation	0.1g	0.2g
Weigh Cell	Double-beam strain gauge cell	
Material	Product surfaces are made of stainless steel or other sanitary materials	
Machine Weight	350kg	500kg

*Machine bodies are painted mild steel (PB) as standard Stainless steel (SS) is an option
Design and specifications are subject to change without notice

Specifications		
Model		Astro-S-103
Running Speed*		Up to 60bpm / Up to 85bpm
Bag Size	Width	100 - 230mm
	Length	100 - 600mm
Film size	Max Roll Width	490mm
	Bore of Film Roll Core	76.2mm
Product		Snack foods such as potato chips, corn chips, tortilla chips and popcorn
Film Feeding Motion		Intermittent
Machine Size	Width	1030mm
	Height	1700mm
	Length	1770mm
Net Weight		1200kg
Operational Temperature		32-104°F (0-40°C) RH30-70% non condensing
Sealing Jaw Motion		Intermittent single jaw

*Actual maximum running speed depends on the product, product volume, packaging material and in-feed conditions
Note: Design and specifications subject to change without notice



First Range Astro-S-103 with SE-214W-1S-20*

ISHIDA EUROPE LIMITED

Kettles Wood Drive, Woodgate Business Park,
Birmingham B32 3DB, United Kingdom
Tel: +44 (0)121 607 7700 Fax: +44 (0)121 607 7888
info@ishidaeurope.com

ISHIDA MIDDLE EAST

Warehouse E16, P.O. Box 293841,
Dubai Airport Free Zone, Dubai, United Arab Emirates
Tel: +971 (0)4 299 1933 Fax: +971 (0)4 299 1955
ishida@ishida.ae



Features and benefits

A quick payback

Because each item of equipment in the Ishida First Range has been carefully engineered to provide improved productivity and value, it may cost you less than you think to enjoy the benefits of Ishida equipment. And typically, we find that payback can be covered over a period of months.

High accuracy – low giveaway

Excellent weighing accuracy dramatically reduces product giveaway when compared with conventional filling or dosing machines. The resulting cost savings mean that the average payback period is just a matter of months.

Easy operation and set-up

The Remote Control Unit (RCU) with 10.4 inch colour touchscreen gives simplified, easy-to-follow operator interface, enabling quick set-up and rapid product changeovers.

Consistent weighing results

A weight sensor in the dispersion table automatically adjusts the product feed, ensuring a consistent supply to the radial feeders. Each feeder can be individually adjusted via the RCU to optimise product feed. High quality stepper motors precisely control hopper gate opening and closing profiles for consistent weighing speed and accuracy.

Combine with Ishida weighing for optimised results and single-source convenience

Ishida offers fully integrated, single manufacturer multihead weigher and bagmaker combinations for snacks. Years of experience with both machines have enabled Ishida to optimise the physical and electronic interfaces to enhance speed and reduce weightment spread. Equally important, one company takes full responsibility for the performance of the combination.

Unbeatable support

Ishida Europe's comprehensive sales, service and spares support ensures that our weighers will reach you in perfect condition. Once installed to your complete satisfaction, it is backed by our industry leading technical support and our huge applications expertise.



ISHIDA EUROPE LIMITED

Kettles Wood Drive
Woodgate Business Park
Birmingham
B32 3DB
United Kingdom
Tel: +44 (0)121 607 7700
Fax: +44 (0)121 607 7888
info@ishidaeurope.com

ISHIDA CZECH REPUBLIC

Tel: +420 317 844 059
Fax: +420 317 844 052
info@ishidaeurope.cz

ISHIDA ROMANIA

Tel: +40 (0)21 589 73 52
Fax: +40 (0)21 310 34 22
info@ishidaeurope.ro

ISHIDA FRANCE

Tel: +33 (0)1 48 63 83 83
Fax: +33 (0)1 48 63 24 29
info@ishidaeurope.fr

ISHIDA RUSSIA AND CIS

Tel: +7 499 272 05 36
Fax: +7 499 272 05 37
info@ishidaeurope.ru

ISHIDA GERMANY

Tel: +49 (0)791 945 160
Fax: +49 (0)791 945 1699
info@ishida.de

ISHIDA SOUTH AFRICA

Tel: +27 (0)11 976 2010
Fax: +27 (0)11 976 2012
info@ishidaeurope.com

ISHIDA MIDDLE EAST

Tel: +971 (0)4 299 1933
Fax: +971 (0)4 299 1955
ishida@ishida.ae

ISHIDA SWITZERLAND

Tel: +41 (0)41 799 7999
Fax: +41 (0)41 790 3927
info@ishida.ch

ISHIDA NETHERLANDS

Tel: +31 (0)499 39 3675
Fax: +31 (0)499 39 1887
info@ishida.nl