

CCW-RV-214W-1S/005-SS-LI

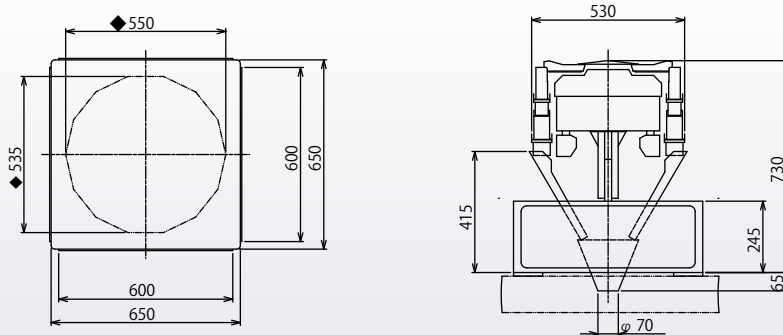
The Micro, 14-head weigher is capable of handling ultra-low target weights at high speeds and with unsurpassed accuracy

The Micro can handle target weights from 0.5 to 50g at speeds of up to 120 weighments per minute, making this model ideal for handling applications such as:

- Tea leaves
- Soup ingredients
- Dehydrated vegetables
- Spices and herbs
- Tablets and capsules



Dimensions



Specifications	CCW-RV-214W-1S/005-SS-LI	
Weighing Capacity (per head)	400g	800g
Maximum Volume for Weighing	0.05 litres	
Weighing Speed (Max)**	120 WPM	
Minimum Graduation*	0.01g	
Touch Screen Display (RCU)	12.1" TFT Colour LCD	
Weigh Cell	Double-beam strain gauge load cell	
Number of Presets	200 items	
Material	Product surfaces are made of stainless steel or other sanitary materials	
IP test rating of structure	IP54 (see specific cleaning instructions in operators manual)	
Air Consumption	No compressed air is required unless using pneumatic driven options	
Power Consumption	200 - 240V 0.25kW 50/60Hz (External transformer will be needed for 380, 400, 415, 440, 460, 480V)	

Design and specifications are subject to change without notice.
 *Depends on target weight, weighing speed and conditions
 **Depends on product shape, product density, target weight etc

CCW-RV-214W-1S/005-SS-LI



The Micro features and benefits

No other multihead weigher supplier can match the innovation track record and global installed base of Ishida and this pioneering spirit has gone into this new innovation. The Micro, the tiny but strong multihead weigher, delivers the most flexible production solution within the smallest footprint whilst still delivering highest productivity and lowest product giveaway.

RV high performance features

- Capable of using all 14 heads in a single combination calculation = 16383 combinations (for maximum efficiency and minimum product giveaway per cycle)
- Simultaneous triple combination calculation (delivering up to 100% efficiency).

Floor space saving and flexible line layout

The Micro performs within the small footprint of just 650 x 650mm, and a maximum height of only 970mm (a quarter of the space of a standard multihead weigher).

Flexible customer configurations are also available such as two or four discharge pattern.

Even faster and more accurate than before

The Micro delivers unbeatable weighing accuracy at impressive speeds. The Ishida designed and manufactured load cell measures as low as 0.01g load increments-allowing very low combination weights to be selected for target weights as low as 0.5g.

Easier to clean, simpler to operate

Troughs, hoppers and chutes are easily removable without tools to make cleaning quick and easy. With minimum gap between main body parts and discharge chutes, the Micro design minimises risk of product spillage or loss within production.

An interactive 3D menu with clear icons and a bright 12.1" TFT colour LCD touch screen makes machine operation easy to understand and control.

- Easy data exchange through USB memory stick
- Flexible connectivity for Ethernet communication
- Connectivity for SCADA (Supervisory Control And Data Acquisition)

Enhanced Product Handling

The premium performance technologies of Ishida RV are taken over to the Micro. The dispersion table incorporates a highly sensitive weighing sensor to give smooth, very precise and stable product feed automatically. Stable and reliable stepper motor drives enable the highest weighing speeds and operating efficiency.



*Optional off-set body design:
To position two machines closely
for 2-mix weighing applications*



Minimal gaps at product transfer points



*Enhanced operator interface options
including hand held tablet control*



*Standard load cell and unique load cell
for the Micro*

ISHIDA EUROPE LIMITED

Kettles Wood Drive
Woodgate Business Park
Birmingham
B32 3DB
United Kingdom
Tel: +44 (0)121 607 7700
Fax: +44 (0)121 607 7888
info@ishidaeurope.com

ISHIDA CZECH REPUBLIC

Tel: +420 317 844 059
Fax: +420 317 844 052
info@ishidaeurope.cz

ISHIDA ROMANIA

Tel: +40 (0)21 589 73 52
Fax: +40 (0)21 310 34 22
info@ishidaeurope.ro

ISHIDA FRANCE

Tel: +33 (0)1 48 63 83 83
Fax: +33 (0)1 48 63 24 29
info@ishidaeurope.fr

ISHIDA RUSSIA AND CIS

Tel: +7 499 272 05 36
Fax: +7 499 272 05 37
info@ishidaeurope.ru

ISHIDA GERMANY

Tel: +49 (0)791 945 160
Fax: +49 (0)791 945 1699
info@ishida.de

ISHIDA SOUTH AFRICA

Tel: +27 (0)11 976 2010
Fax: +27 (0)11 976 2012
info@ishidaeurope.com

ISHIDA MIDDLE EAST

Tel: +971 (0)4 299 1933
Fax: +971 (0)4 299 1955
ishida@ishida.ae

ISHIDA SWITZERLAND

Tel: +41 (0)41 799 7999
Fax: +41 (0)41 790 3927
info@ishida.ch

ISHIDA NETHERLANDS

Tel: +31 (0)499 39 3675
Fax: +31 (0)499 39 1887
info@ishida.nl