

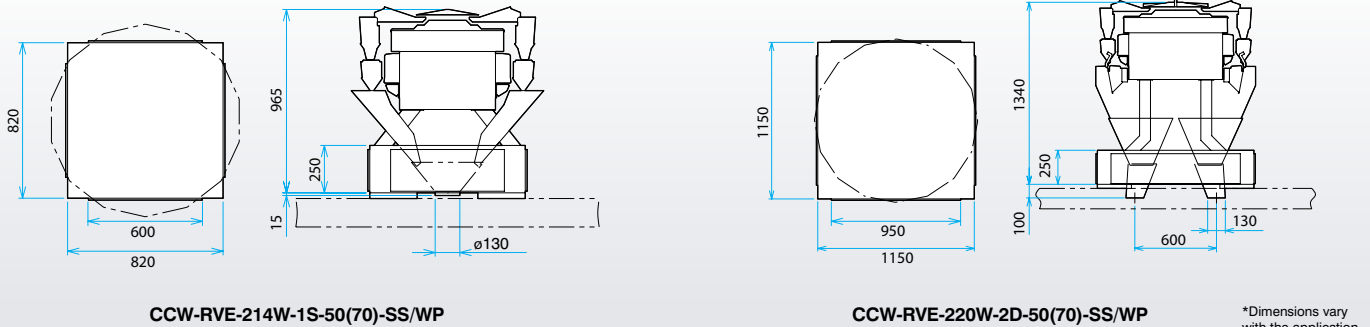


CCW-RVE-214W-1S-50(70)-SS/WP CCW-RVE-220W-2D-50(70)-SS/WP

Robust, versatile, accurate, connected weighing at competitive price/performance position - for bulky products.

Designed to handle heavy or bulky products, this weigher can be adapted to suit many packaging scenarios. Configured in stainless steel finish or with enhanced water proof design, the RVE series is built for long life operations in dry, fresh or frozen applications.

Dimensions



*Dimensions vary with the application

Specifications		CCW-RVE-214W-1S-50(70)-SS/WP		CCW-RVE-220W-2D-50(70)-SS/WP	
Weighing Capacity (per head)		2,000g (max)	4,000g (max)	2,000g (max)	4,000g (max)
Max. Vol. for Weighing (per single dump)		10 (14) litres		10 (14) litres	
Minimum Graduation		0.5g	1.0g	0.5g	1.0g
Weighing Speed (Max)*		110 (80) WPM		50 WPM/side	
Touch Screen Display (RCU)		10.4" Colour LCD Display			
Weigh Cell		Double-beam loadcell			
Number of Presets		200			
Construction	Materials	Product surfaces are made of stainless steel or other sanitary materials			
	IP Test Rating	SS: IP-54 Rating, WP: IP-66 Rating			
Utilities	Air**	110 litres/min (ANR) 0.01-0.02 Mpa Air hose - PT 3/8" (for air dryer connection) Note: Air hose compressor must be provided by user.			
	Power	Wattage	1.1kW	2.6kW	
		Voltage	200-240V, 380V, 400V, 415V, 440V, 460V & 480V 50/60Hz 1-phase		
Net Weight***		1,000kg		1,800kg	
Noise Level****		Less than 80dB			

Design and specifications are subject to change without notice (please confirm dimensions at point of order).

* Depends on product shape, product density, target weight, feeding conditions, etc.

** Compressed air supply is required only for WP machines.

*** The machine weight varies depending on the options selected.

**** The listed noise level shall be measured when the running speed is less than 75wpm and the machine is empty.



RVE-Series features and benefits

Ishida has over 120-years history of weighing innovation, with more multihead weighers installed and adding value than any other supplier. The new RVE series represents the latest in multihead weighing performance for speed, accuracy and reliability, and comes with a wide range of features to ensure high performance industrial weighing is achieved at an interesting price point.

Choose your level of construction

The RVE series is built to your specifications regarding product, application and environment. You can choose dry or waterproof construction along with many different options designed to overcome you business and application challenges.

Fast and precise weighing for improved productivity and profitability

The RVE range draws upon technological features previously reserved only for the highest range such as programmable digital filtering and advanced automatic feeder adjustment which now come as standard. Critical components such as load cells and drive weigh units is exclusively designed and manufactured by Ishida to ensure strict performance standards are maintained.

User-friendly design and easy set-up

The Remote Control Unit (RCU) has intuitive, easy-to-use controls that make initial set up and daily operations easy. The clear and easy-to-read screens prevent operator errors and simplify procedures, minimizing machinery downtime and maximizing production efficiency. Plug and play USB data import/export and Ethernet connectivity are also available for simpler data management.

Pre-configured for SMART FACTORIES

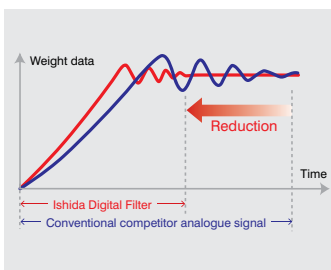
While the RVE European and Japanese construction is very robust, we recognise the need for advanced service support to our customers. Ishida offers much more than a remote control service. We offer pre-determined SENTINEL packs with options of automated daily reporting, remote interventions, or even a live performance monitoring service.

Compliance with FDA and EU Food Contact standards

All materials are FDA-approved and comply with Article 16(1) of Regulation (EC) No 1935/2004 and Article 15 of Regulation 10/2011. To fully meet the EU's Restriction of Hazardous Substances Directive (RoHS) non-hazardous materials are used for all circuit boards, parts, materials, and finishes.



The RVE series is built to your specifications regarding product, application and environment



Fast and precise weighing for improved productivity and profitability



User-friendly design and easy set-up



Remote control service with options of automated daily reporting and remote interventions

ISHIDA EUROPE LIMITED

Kettles Wood Drive
Woodgate Business Park
Birmingham
B32 3DB
United Kingdom
Tel: +44 (0)121 607 7700
Fax: +44 (0)121 607 7888
info@ishidaeurope.com

ISHIDA CZECH REPUBLIC

Tel: +420 317 844 059
Fax: +420 317 844 052
info@ishidaeurope.cz

ISHIDA ROMANIA

Tel: +40 (0)21 589 73 52
Fax: +40 (0)21 310 34 22
info@ishidaeurope.ro

ISHIDA FRANCE

Tel: +33 (0)1 48 63 83 83
Fax: +33 (0)1 48 63 24 29
info@ishidaeurope.fr

ISHIDA RUSSIA AND CIS

Tel: +7 499 272 05 36
Fax: +7 499 272 05 37
info@ishidaeurope.ru

ISHIDA GERMANY

Tel: +49 (0)791 945 160
Fax: +49 (0)791 945 1699
info@ishida.de

ISHIDA SOUTH AFRICA

Tel: +27 (0)11 976 2010
Fax: +27 (0)11 976 2012
info@ishidaeurope.com

ISHIDA MIDDLE EAST

Tel: +971 (0)4 299 1933
Fax: +971 (0)4 299 1955
ishida@ishida.ae

ISHIDA SWITZERLAND

Tel: +41 (0)41 799 7999
Fax: +41 (0)41 790 3927
info@ishida.ch

ISHIDA NETHERLANDS

Tel: +31 (0)499 39 3675
Fax: +31 (0)499 39 1887
info@ishida.nl