

Innovation  
Commitment  
Experience  
Precision  
Knowledge  
Quality  
Performance



### Working with you every step of the way

Our extensive R&D investment is directed at meeting the challenges of the fast-changing food industry around the globe.

We aim to support our partners fully, from the very start of the buying process, and you will find many equipment brochures, visual animations and case studies available on our website. When you are ready to make contact, a well-resourced network of Ishida companies, distributors and agents, extending across Europe, the Middle East and Africa, can provide advice and organise demonstrations and trials.

Installation is rapid and efficient. For integrated packing lines, we use proven project management techniques and methodologies, tuned to your key objectives and specifications.

A dedicated pan-European service engineering team helps to maximise the performance, functionality and reliability of our installed base. In addition, spares facilities are strategically placed throughout the territory, offering 24-hour delivery in most cases.

#### Ishida Europe: understanding and tackling the weighing and packing line challenges you face

- Unique engineering expertise, combined with practical industry knowledge in your sector.
- Global applications experience, including snacks, meat, poultry, ready meals, fresh produce, dry and frozen foods, bakery, confectionery and pasta.
- R&D resources and commitment to support both continuous improvement and major innovation.
- Solutions include consultancy and project management, complete packing lines, multihead weighers, distribution and topping systems, X-Ray inspection systems, snackfood bagmakers, checkweighers, traysealers, weigh-price-labellers and pick-and-place systems.



helpline • spares • service • training



**Ishida Europe Limited**  
11 Kettles Wood Drive  
Woodgate Business Park  
Birmingham  
B32 3DB  
United Kingdom  
Tel: +44 (0)121 607 7700  
Fax: +44 (0)121 607 7666  
info@ishidaeurope.com

**Ishida Czech Republic**  
Tel: +420 317 844 059  
Fax: +420 317 844 052  
info@ishidaeurope.cz

**Ishida France**  
Tel: +33 (0)1 48 63 83 83  
Fax: +33 (0)1 48 63 24 29  
info@ishidaeurope.fr

**Ishida Germany**  
Tel: +49 (0)791 945 160  
Fax: +49 (0)791 945 1955  
info@ishida.de

**Ishida Middle East**  
Tel: +971 (0)4 299 1933  
Fax: +971 (0)4 299 1955  
ishida@ishida.ae

**Ishida Netherlands**  
Tel: +31 (0)499 39 3675  
Fax: +31 (0)499 39 1887  
info@ishida.nl

**Ishida Romania**  
Tel: +40 (0)21 589 73 52  
Fax: +40 (0)21 310 34 22  
info@ishidaeurope.ro

**Ishida Russia and CIS**  
Tel: +7 499 272 05 36  
Fax: +7 499 272 05 37  
info@ishidaeurope.ru

**Ishida South Africa**  
Tel: +27 (0)11 976 2010  
Fax: +27 (0)11 976 2012  
info@ishida.co.za

**Ishida Switzerland**  
Tel: +41 (0)41 799 7999  
Fax: +41 (0)41 790 3927  
info@ishida.ch



# QX-775 Flex

Flexible traysealing system





# QX-775 Flex

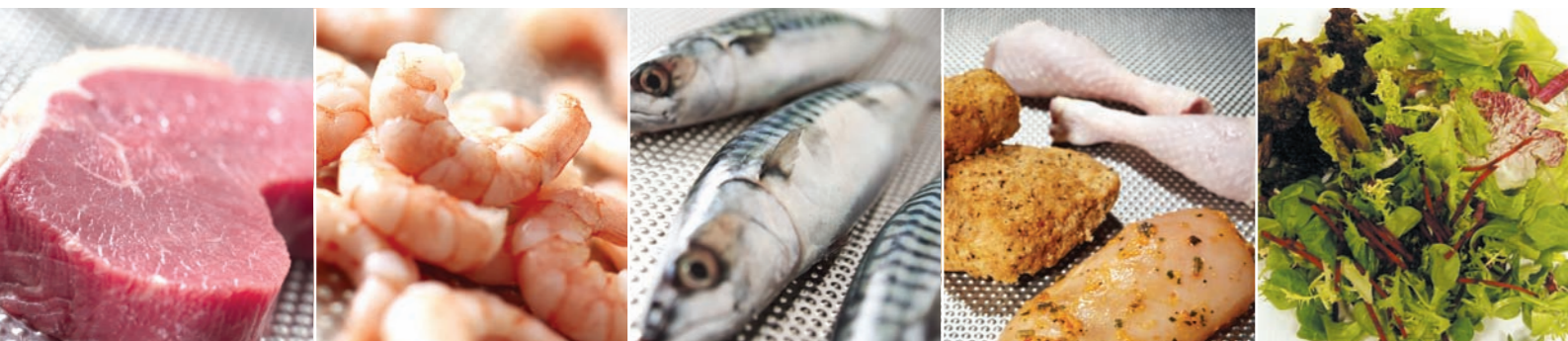
The QX-775 Flex offers maximum flexibility at an unrivalled speed of up to 15 cycles per minute with MAP (Modified Atmosphere Packaging).

This Traysealer has been specifically designed for the fresh food industry with the latest and unique hygiene features including self-draining surfaces throughout.

Using a combination of a smart interface, the latest servo technology and clever mechanical design, the single lane system can be optimised to suit all product types, trays and film materials.

Sealing tools offer high quality pack and product presentation and can be designed to handle all types of sealing and MAP processes, giving the user full flexibility in an ever changing market.

The QX-775 offers easy operator friendly tool changes with automated loading and a motorised lifting trolley.



### Hygienic design

The QX-775 Flex's open design allows easy access for cleaning and maintenance. In particular, self-draining curved surfaces, the absence of exposed cables or motors and easy-to-remove belts and conveyors allow a fast and comprehensive wash-down. Quick-release belts and conveyors also minimise downtime for product changeovers.

Changeovers and wash-down can be achieved quickly and safely without the use of hand tools.



### Sealing tool solutions

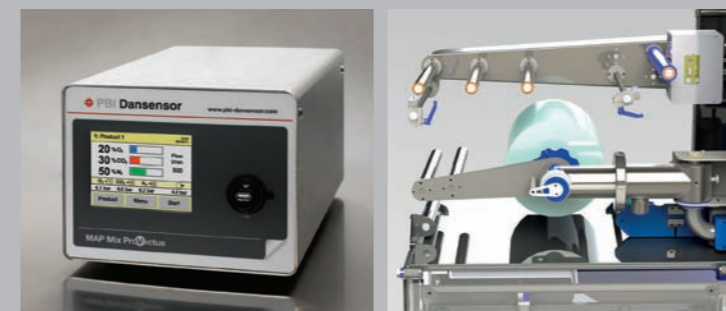
Each sealing tool can be designed to suit any application and offers the highest quality pack presentation to suit demanding market requirements. The machine can disable a sealing head in the event of a knife or heater issue. This allows the traysealer to continue running and automatically adjusts the tray feed to suit. The smart belt system will alert operators to out-of-spec packs or misplaced products or trays, enabling corrective action to be taken with no damage to product or sealing tool.



### Easy operation and set up

The tray sealer's intelligent control system includes auto-set features for integrated film coding, gas mixing and gas analysing, allowing one button product changeovers. Its servo driven motion delivers accurate and consistent tray handling at high speeds in order to maximise product throughput. The system also controls and communicates with upstream filling and downstream systems.

Up to 100 products can be set, each with unique recipes for total line configuration.



### Integrated gas mixing, analysing and coding

An integrated gas mixing system creates MAP packs, while a gas analyser within the tool samples the gas at every cycle and automatically stops the system if the wrong mix is detected. The servo controlled film drive ensures smooth handling of the film and accurate printing for the integrated coding system thus ensuring excellent pack presentation.



### Rapid changeover

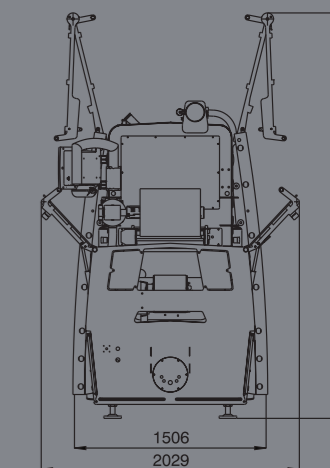
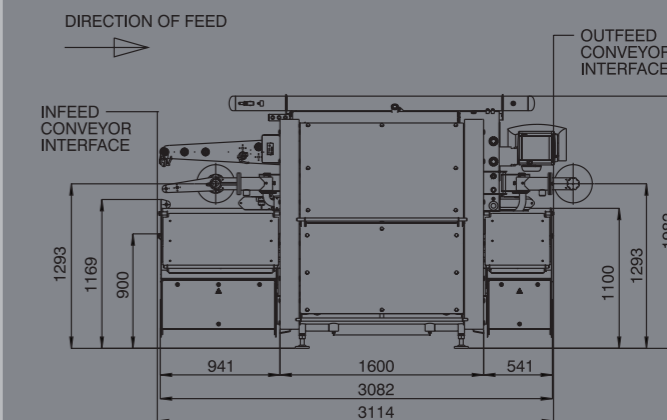
The machine is designed with quick and easy changeovers in mind. Operators can easily change films and sealing tools using automatic and quick release features. This offers a particularly useful and efficient changeover for ready meal applications where the customer's product range and production volumes fluctuate.

### The total solution

The QX-775 Flex forms a central part of Ishida's tray packing line solutions including:

- Tray denesters
- Multihead weighers
- Distribution systems
- X-ray
- Checkweighers
- Seal testers
- Label inspection
- End-of-line packing systems
- Total project management

## Technical specification



Specifications		
Minimum tray size	95mm	
Maximum tray width	Outside cut, inside cut and shrink films	300mm
	Skinpack	250mm
Maximum tray height	130mm	
Number of impression per tool	From 1 to 6	
Maximum cycle speed with MAP	15 cycles per minute	
Maximum film reel diameter	300mm	
Machine weight (without tool)	1000 kg	
Supply Voltage	415 3 Phase+N+E, 25KVA	
Air supply	25nL/MIN @ 7 bar	