

AUTOMATIC TRAY DENESTER



High speed automatic tray denester - for the food packaging industry

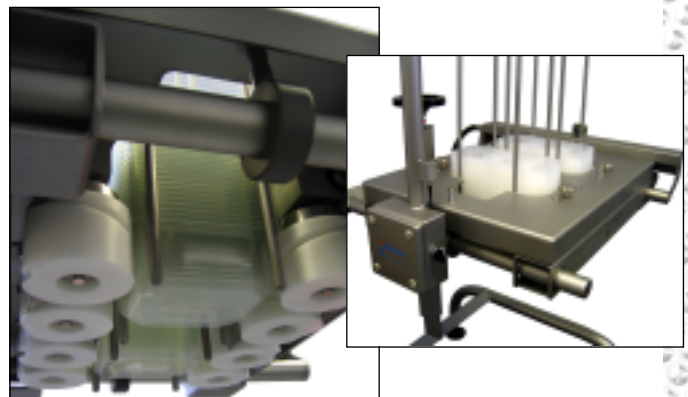
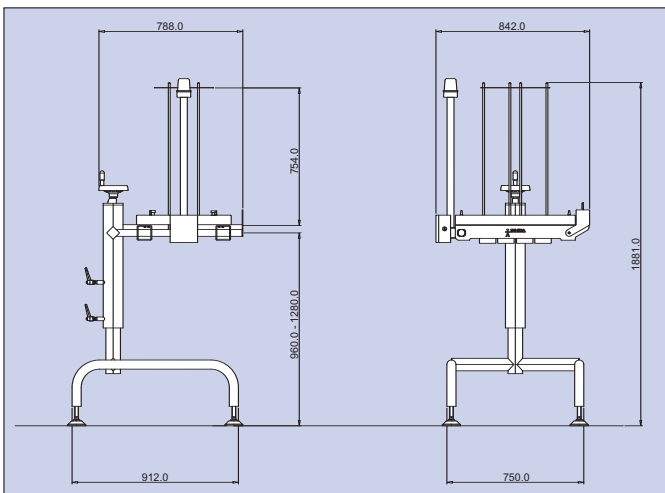
Offering a highly accurate alternative to denesting by hand, Ishida automatic tray denesters now cater for an even wider range of denesting applications.

Offering constant, consistent and user friendly operation, Ishida automatic tray denesters are designed and manufactured to meet and the demanding requirements of the food industry. Manufactured to food grade specification and to the highest standards of engineering workmanship, Ishida tray denesters guarantee high packing line performance.

Quick and simple product changeover is achieved via a single change part, ensuring maximum packaging flexibility.

Ishida tray denesters are available as integrated systems or stand alone machines, with various control and interface options designed to suit a wide range of situations.

DIMENSIONS



- Automatic operation
- Scroll denest
- Adjustable denest height
- Rapid product changeover
- Optional "low tray alarm"

Ishida Europe Limited

11 Kettles Wood Drive
Woodgate Business Park
Birmingham B32 3DB
United Kingdom

Tel: +44 (0)121 607 7700
Fax: +44 (0)121 607 7666

info@ishidaeurope.com
www.ishidaeurope.com

Ishida Czech Republic

Tel: +420 317 844 059
Fax: +420 317 844 052
info@ishidaeurope.cz

Ishida Netherlands

Tel: +31 (0)499 39 3675
Fax: +31 (0)499 39 1887
info@ishida.nl

Ishida France

Tel: +33 (0)1 48 63 83 83
Fax: +33 (0)1 48 63 24 29
info@ishidaeurope.fr

Ishida South Africa

Tel: +27 (0)11 475 7725
Fax: +27 (0)11 679 1459
ishida@cybertrade.co.za

Ishida Germany

Tel: +49 (0)791 506 1337
Fax: +49 (0)791 506 1331
ishida@optima-ger.com

Ishida Sweden

Tel: +46 (0)8 556 46 730
Fax: +46 (0)8 556 46 739
info@ishida.se

Ishida Middle East

Tel: +971 (0)6 5263 501
Fax: +971 (0)6 5263 502
ishida@ishida.ae

Ishida Switzerland

Tel: +41 (0)41 799 7999
Fax: +41 (0)41 790 3927
info@ishida.ch